

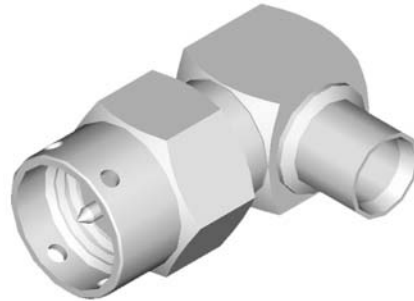
Coaxial Right Angle Connector: RF6-JWB1

Description

Right angle plug solder type cable .086

Interface standards

Γ O C T 20265



Technical Data

Electrical Data

Impedance	50 Ω
Interface frequency max.	12.4 GHz
VSWR	1.10+0.02×f(GHz) max
Voltage rating	500 V(rms)
Test voltage	1000 V(rms)
Contact resistance:	
Center conductor	≤3m Ω
Out conductor	≤2m Ω
Insulation resistance	≥5000M Ω

Mechanical Data

Center contact retention	
Axial force – Mating end	27 N min
Axial force – Opposite end	27 N min
Torque	2.8 N.cm min
Weight	4.65 g
Durability	500 Cycles

Environmental Data

Operating Temperature	-65 °C to 165 °C
-----------------------	------------------

Material Data

Piece Parts

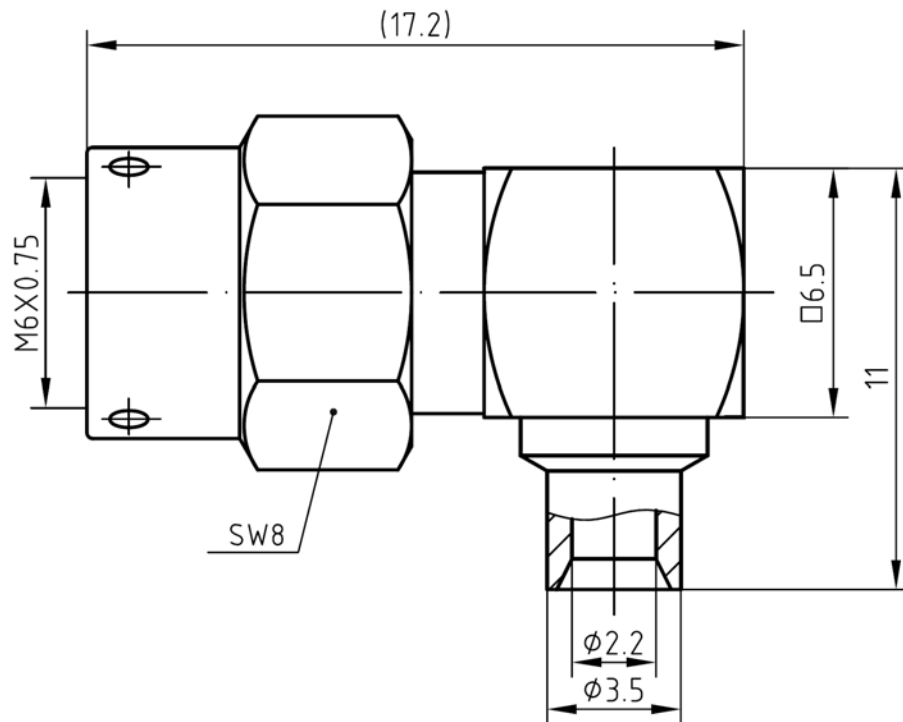
Body	Brass
Center contact	Brass
Coupling nut	Brass
Gasket	Silicone Rubber
Insulator	PTFE

Surface Plating(μ m)

Silver 7.0 over copper 2.0
Silver 7.0 over copper 2.0
Nickel 7.0 over copper 2.0

Coaxial Right Angle Connector: RF6-JWB1

Outline drawing



Packaging

Standard

Other

200/Box=20Bag

Contact us