

Coaxial Straight Bulkhead Connector: SMB-JYB

Description

Straight bulkhead jack solder type

Interface standards

MIL-C-39012

Technical Data

Electrical Data

Impedance	50 Ω
Interface frequency max.	4 GHz
VSWR	1.05+0.05 \times f(GHz) max
Voltage rating	250 V(rms)
Test voltage	750 V(rms)
Contact resistance:	
Center conductor	\leq 6 m Ω
Out conductor	\leq 1.5 m Ω
Insulation resistance	\geq 1000M Ω

Mechanical Data

Weight	2.6 g
Durability	500 Cycles

Environmental Data

Operating Temperature	-65 $^{\circ}$ C to 165 $^{\circ}$ C
-----------------------	--------------------------------------

Material Data

Piece Parts

Center contact	Brass
Body	Brass
Coupling nut	Brass
Insulator	PTFE

Material

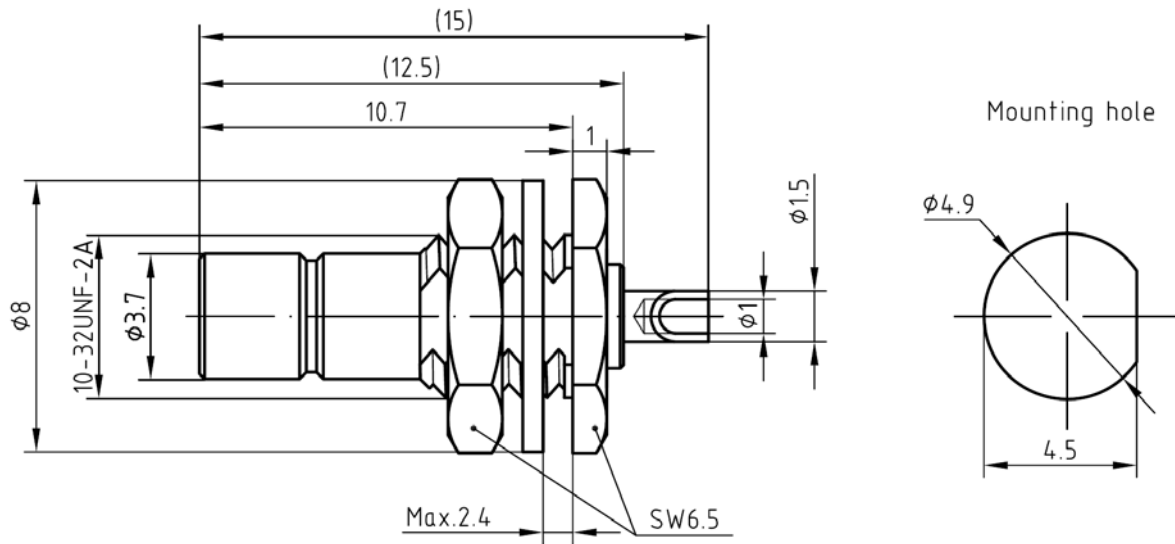
Surface Plating(μ m)

Gold 0.5 over Nickel 2.0
Gold 0.2 over Nickel 2.0
Gold 0.2 over Nickel 2.0



Coaxial Straight Bulkhead Connector: SMB-JYB

Outline drawing



Packaging

Standard

150/Box=15 Bag

Other

Contact us