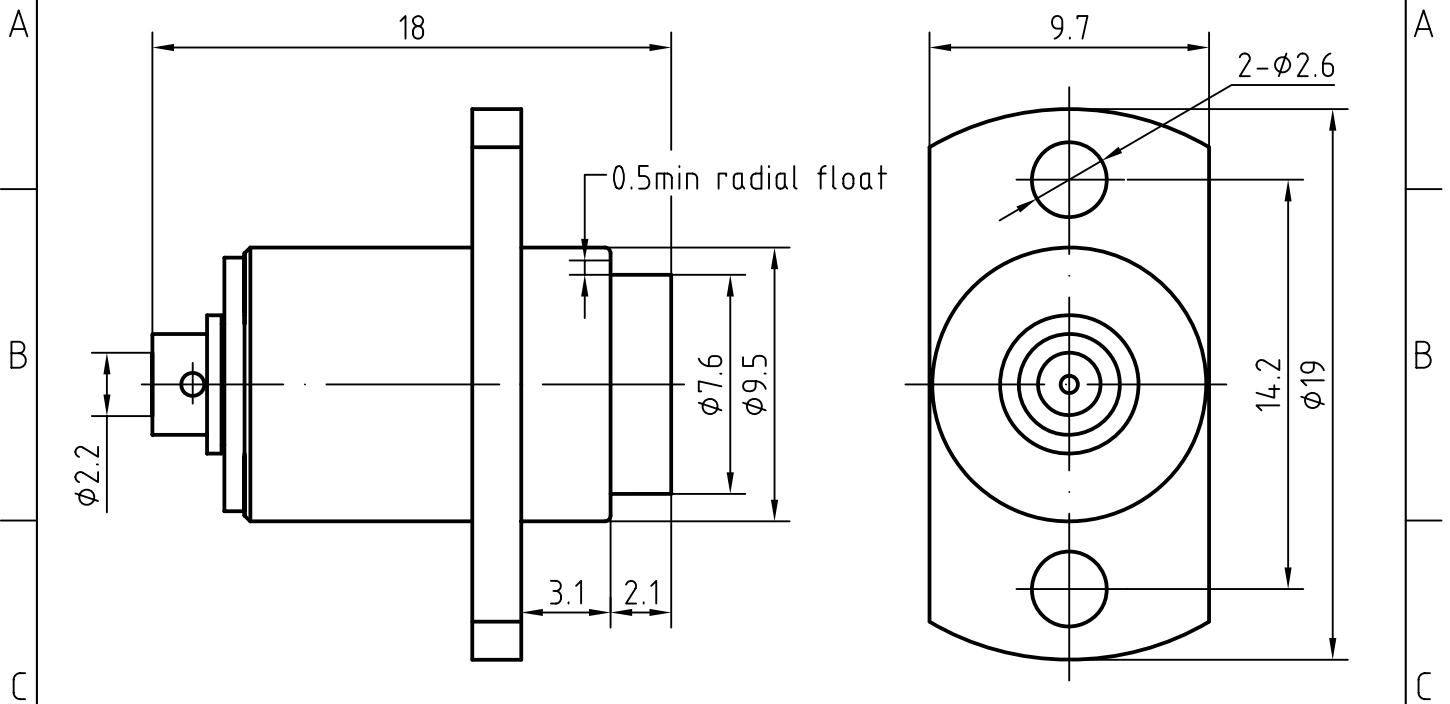
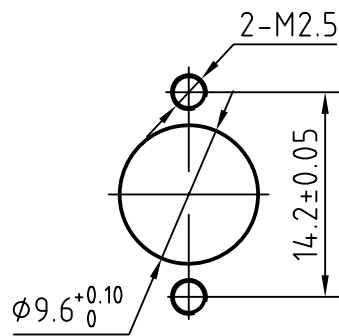
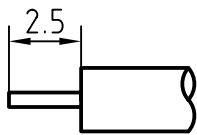


DRAWING



CABLE(UT 086, RG 405)

MOUNTING HOLE



4	1	Body	Brass/Nickel plated	Nickel 7.0 over Copper 2.0
3	1	Insulator	PTFE	
2	1	Outer contact	Brass/Gold plated	Gold 0.2 over Nickel 2.0
1	1	Center contact	Beryllium copper/Gold plated	Gold 0.5 over Nickel 2.0

Designed by Mingang Han	Checked by Jinlong Gu	Approved by - date Hongyu Du	File name BMA-KFB2	Date 07.07.25	Scale 1:1
----------------------------	--------------------------	---------------------------------	-----------------------	------------------	--------------

Amitron Electronics, Ltd

BMA-KFB2

<http://www.amel.ru>

Edition  
1.0

Sheet  
1/1

## CHARACTERISTICS

DESCRIPTION: BMA Type female FL connector

### Electrical data:

<i>Impedance:</i>	50 ohm
<i>Frequency range:</i>	DC to 18 GHz
<i>VSWR:</i>	$\leq 1.05 + 0.03Xf[\text{GHz}]$
<i>Insertion loss:</i>	$\leq 0.05X \sqrt{f[\text{GHz}]} \text{ dB}$
<i>Insulation resistance:</i>	$\geq 5000\text{M}\Omega$
<i>Test voltage:</i>	1000 V rms
<i>Working voltage:</i>	350 V rms
<i>Contact resistance:</i>	
1). Centre contact:	3.0 m $\Omega$
2). Outer conductor:	2.0 m $\Omega$
<i>RF leakage:</i>	$\leq - (90 - F(\text{GHz})) \text{ dB}$

### Environmental data:

<i>Temperature rating:</i>	-65 ° C to +165 ° C
<i>2002/95/EC (RoHS):</i>	Compliant

### Mechanical data:

<i>Mating cycles:</i>	$\geq 500$
<i>Center contact captivation:</i>	$\geq 18 \text{ N(axial)}$

### Suitable cables:

.086,670-086

Amitron Electronics, Ltd.

<http://www.amel.ru>

e-mail: [mailbox@amel.ru](mailto:mailbox@amel.ru)