

Coaxial Right Angle PCB Connector: RF6-KWHDA

Description

Right Angle jack receptacle for PCB solder legs

Interface standards

Γ O C T 20265

Technical Data

Electrical Data

| | |
|--------------------------|----------------------|
| Impedance | 50 Ω |
| Interface frequency max. | 6 GHz |
| VSWR | 1.08+0.05×f(GHz) max |
| Voltage rating | 500 V(rms) |
| Test voltage | 1000 V(rms) |
| Contact resistance: | |
| Center conductor | ≤3m Ω |
| Out conductor | ≤2m Ω |
| Insulation resistance | ≥5000M Ω |

Mechanical Data

| | |
|----------------------------|--------------|
| Center contact retention | |
| Axial force – Mating end | 27 N min |
| Axial force – Opposite end | 27 N min |
| Torque | 2.8 N.cm min |
| Weight | 3.4 g |
| Durability | 500 Cycles |

Environmental Data

| | |
|-----------------------|------------------|
| Operating Temperature | -65 °C to 165 °C |
|-----------------------|------------------|

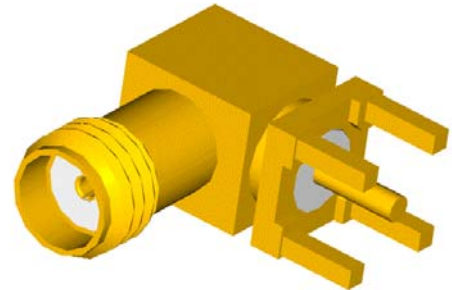
Material Data

Piece Parts

| | |
|----------------|------------------|
| Body | Brass |
| Center contact | Beryllium copper |
| Insulator | PTFE |

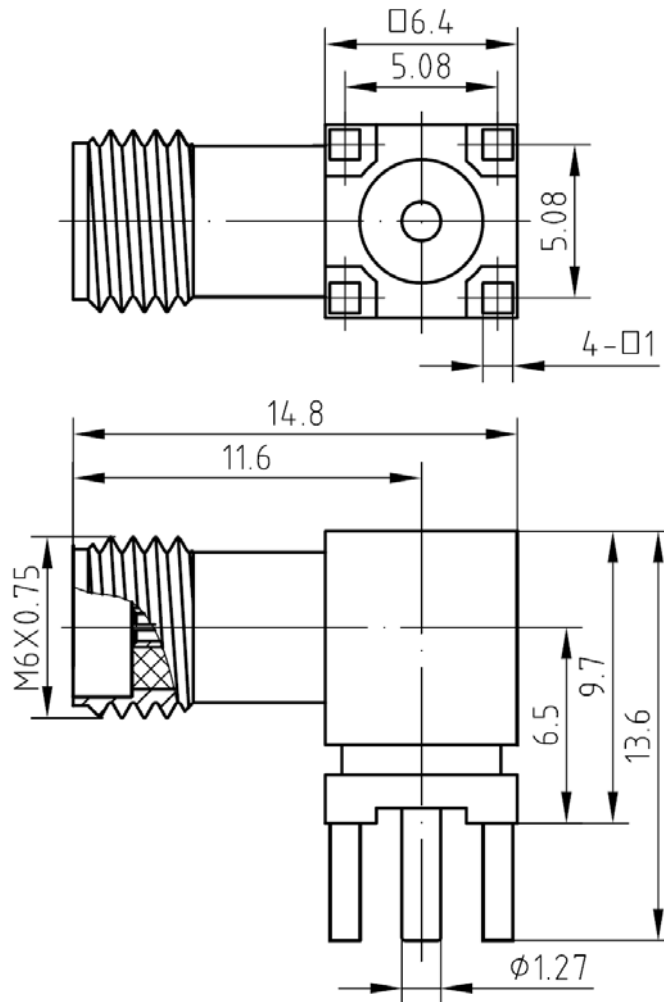
Surface Plating(μ m)

| |
|--------------------------|
| Gold 0.2 over Nickel 2.0 |
| Gold 0.5 over Nickel 2.0 |



Coaxial Right Angle PCB Connector: RF6-KWHDA

Outline drawing



Packaging

Standard

250/Box=25Bag

Other

Contact us